

SPECIFICATION

Range: **KOALA-T, ARCHIMEDE DISPLAY**

Design: **Michele De Lucchi con Sezgin Aksu (Koala-T)**
Caimi Lab (Archimede display)

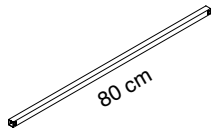
Description: modular display system which can be used fixed or on castors and with a range of accessories in combination with the Koala and Koala-T communication systems.

CROSSBARS

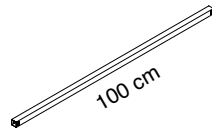
Codes: **5083/2-GA, 5083/2-BO, 5085/2-GA, 5085/2-BO, 5087/2-GA, 5087/2-BO**

Dimension: L 80 cm (code 5083-XX) - L 100 cm (code 5085-XX) - L 140 cm (code 5087-XX)

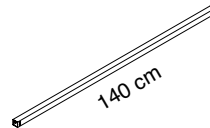
Description: crossbars made in 1.5 mm thick tubes, square section 30 x 30 mm with 4 holes at each end to thread the aluminium and steel expansion screws. Painted with silver grey or matt white epoxy-powder coating.



5283/2-GA (2 pcs)
5283/2-BO (2 pcs)



5285/2-GA (2 pcs)
5285/2-BO (2 pcs)



5287/2-GA (2 pcs)
5287/2-BO (2 pcs)



UPRIGHTS

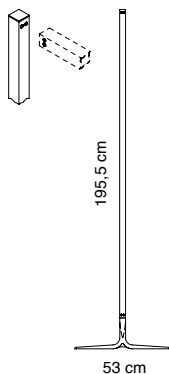
Codes: **5071/BP-GA, 5071/BP-BO, 5074/BP-GA, 5074/BP-BO**

Dimension: H 195,5 cm

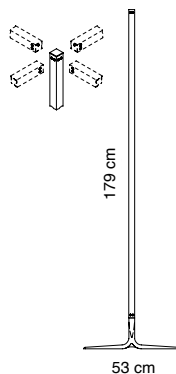
Description: uprights made in 1.5 mm thick tube, square section 30 x 30 mm with 2 holes on one or more sides, to insert the upper crossbar and 2 holes for the bottom crossbar. Painted with silver grey or matt white epoxy-powder coating.

Flat double base made in polished cast aluminium, with two high-tech polymer adapters to couple the base to the upright.

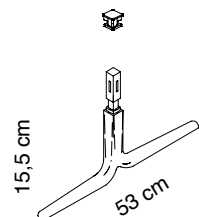
The base comes complete with top caps for the upright, 1 in grey high-tech polymer and 1 in transparent high-tech polymer.



5271/BP-GA, 5271/BP-BO
1-way up-right



5274/BP-GA, 5274/BP-BO
4-ways up-right



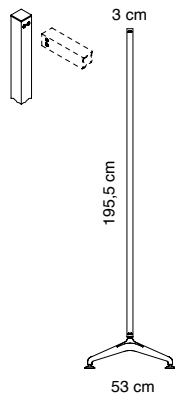
Detail of the base

Codes: **5071/B-GA, 5071/B-BO, 5074/B-GA, 5074/B-BO**

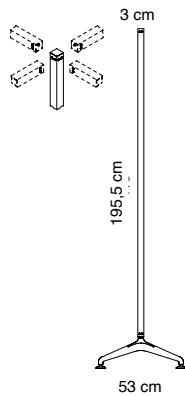
Dimension: H 195,5 cm

Description: uprights made in 1.5 mm thick tube, square section 30 x 30 mm with 2 holes on one or more sides, to insert the upper crossbar and 2 holes for the bottom crossbar. Painted with silver grey or matt white epoxy-powder coating. Double base made in polished cast aluminium, with two adjustable jointed grey high-tech polymer and steel feet and two high-tech polymer adapters to couple the base to the upright.

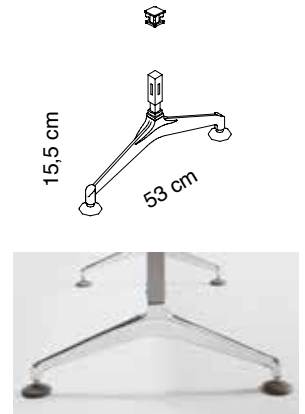
The base comes complete with top caps for the upright, 1 in grey high-tech polymer and 1 in transparent high-tech polymer.



5071/B-GA, 5071/B-BO
1-way up-right



5074/B-GA, 5074/B-BO
4-ways up-right

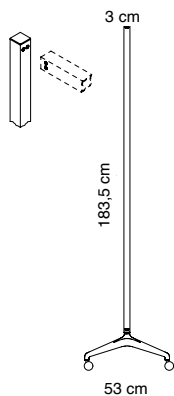


Detail of the base

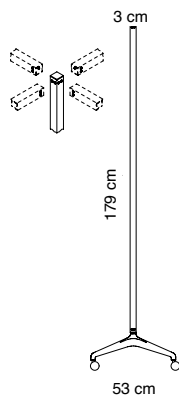
Codes: **5071/BR-GA, 5071/BR-BO, 5074/BR-GA, 5074/BR-BO**

Dimension: H 200 cm

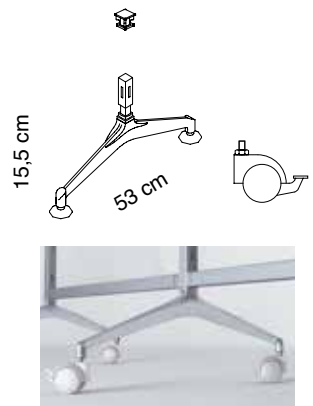
Description: uprights made in 1.5 mm thick tube, square section 30 x 30 mm with 2 holes on one or more sides, to insert the upper crossbar and 2 holes for the bottom crossbar. Painted with silver grey or matt white epoxy-powder coating. Double base made in polished cast aluminium, with two adjustable jointed grey high-tech polymer and steel feet and two high-tech polymer adapters to couple the base to the upright. With swivel casters, made in white or metal grey high-tech polymer and steel. The base comes complete with top caps for the upright, 1 in grey high-tech polymer and 1 in transparent high-tech polymer.



5203/BR-GA, 5203/BR-BO
-way up-right



5213/BR-GA, 5213/BR-BO
4-ways up-right

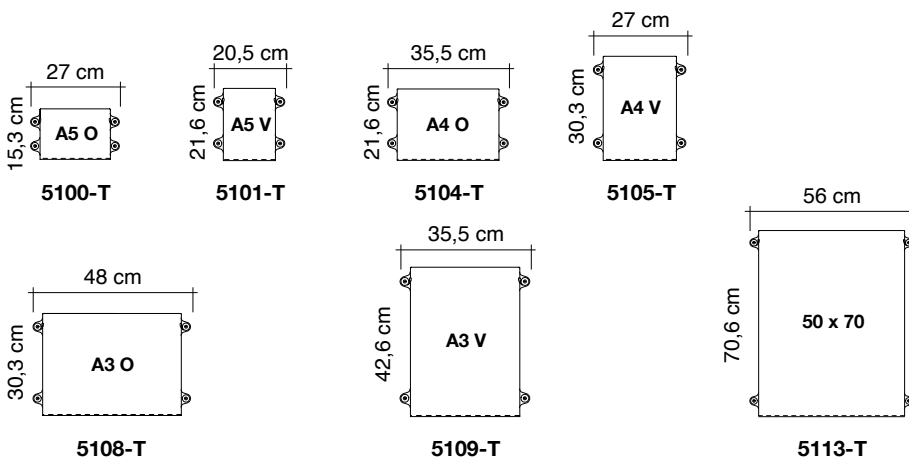


Detail of the base

DISPLAY UNIT

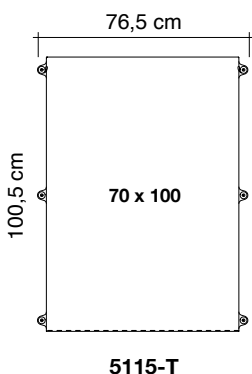
Codes: **5100-T, 5101-T, 5104-T, 5105-T, 5108-T, 5109-T, 5113-T**

Description: display units in transparent UV-resistant methacrylate, U-shaped, with envelope type opening. The steel cables are coupled using the 4 clamps at the sides of the display unit available in the standard colour - grey; other colour - white is available on demand (code 5172-TBO). Each clamp consists of an element that contains the high-tech polymer cable lock hook, a threaded metal insert and a zinc-plated steel screw whose head is inserted in a high-tech polymer washer fitted on the front of the display unit. The two upper clamps are fitted with a small lever making it easy to open and close the display and decide from which side to perform this operation. The lever can be mounted in two different positions on the clamp, so the display unit can be opened from the front or the back as required, making it easier to insert or replace the literature on display.



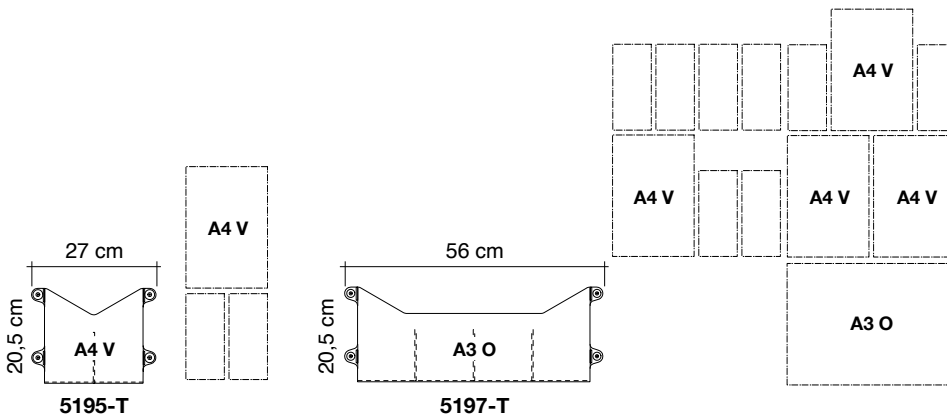
Codes: **5115-T**

Description: display units in transparent UV-resistant methacrylate, U-shaped, with envelope type opening. The steel cables are coupled using the 4 clamps at the sides of the display unit available in the standard colour - grey; other colour - white is available on demand (code 5172-TBO). Each clamp consists of an element that contains the high-tech polymer cable lock hook, a threaded metal insert and a zinc-plated steel screw whose head is inserted in a high-tech polymer washer fitted on the front of the display unit. The four upper clamps are fitted with a small lever making it easy to open and close the display and decide from which side to perform this operation. The lever can be mounted in two different positions on the clamp, so the display unit can be opened from the front or the back as required, making it easier to insert or replace the literature on display.



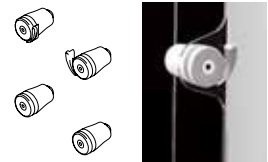
Codes: **5195-T, 5197-T**

Description: brochure racks made in transparent UV-resistant methacrylate fitted with slot-in dividers inside the pocket. The holder is 27 mm long. The steel cables are coupled using the 4 clamps at the sides of the brochure rack available in the standard colour - grey; other colour - white is available on demand (code 5172-TBO). Each clamp consists of an element that contains the high-tech polymer cable lock hook, a threaded metal insert and a zinc-plated steel screw whose head is inserted in a high-tech polymer washer fitted on the front of the brochure rack.



Codes: **5172-TBO**

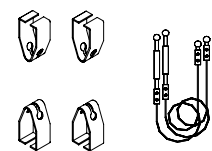
Description: set of 4 clamps for Koala cable display units and brochure racks, available in the following colours: white (all display units include 4 standard grey clamps). Each clamp consists of an element that contains the high-tech polymer cable lock hook, a threaded metal insert and a zinc-plated steel screw whose head is inserted in a high-tech polymer washer fitted on the front of the display unit. Optional item.



5172-TBO

Codes: **5046-GA, 5046-BO**

Description: Set of 4 supports, 2 tension rods and two x 4 m cables to assemble the Koala and Koala-T communication systems. The 4 supports hook onto the top and bottom rails and are made of silver-grey or matt white epoxy-powder coated steel, each with a seat for the spherical head of the tension rods in chrome-plated metal which are, in turn, connected by 4 steel screws (two for the bottom element and two for the top element) to the flexible steel cable, fitted with a security lead seal on the terminal. Maximum capacity 10 Kg



5046



XX=color option