

SPECIFICATION

RANGE: **BOW**

Design: **King & Miranda**

“Snowsound Technology” sound-absorbing element fixed to the wall/ceiling.

Panel description:

Panel description:

Thermally moulded panels with hollow shapes, characterised by a central rib, with variable thickness max. 36 mm. The panels consist of an internal padding of variable density polyester fibre, decreasing towards the core of the panel, covered on both sides with Trevira CS® polyester fabric firmly applied to the padding.

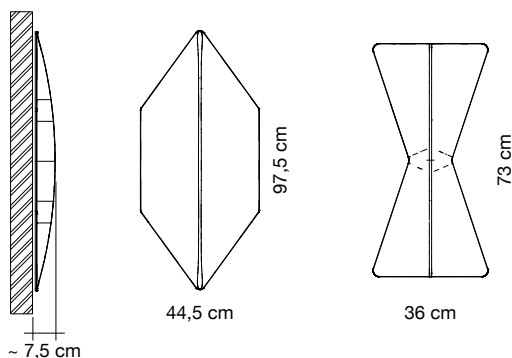
The panel has an **Italian Class1** fire reaction and **Euroclass B-s2, d0**.

The panel is **Greenguard Gold** certified, which validates its low VOC emission and its contribution to the quality of the indoor environment.

The panel is **100% recyclable** and has no detectable formaldehyde content according to UNI EN 717-2. It does not contain felts or other organic materials that are hardly recyclable.

The panel has been tested in reverberation chamber according to UNI EN ISO 354 and obtained “**Acoustic Absorption Class A**”, in accordance with UNI EN ISO 11654.

Panels dimensions:



Pair of supports consisting of dedicated elements (different according to the shape of the panel) made of zamak and magnets screwed to them. The supports attach directly to the rear of the panel in specific positions, indicated on the panel itself, by means of 4x30 self-tapping screws. The magnets allow attachment to the wall by means of a pair of steel plates fitted with retaining rings. Each ring nut is equipped with a protruding stop that allows the safety cable, made of steel, to be locked in the case of ceiling mounting.

The products described in this data sheet are **CE marked** according to the harmonized product standard EN 13964 for the intended use as a drop ceiling.

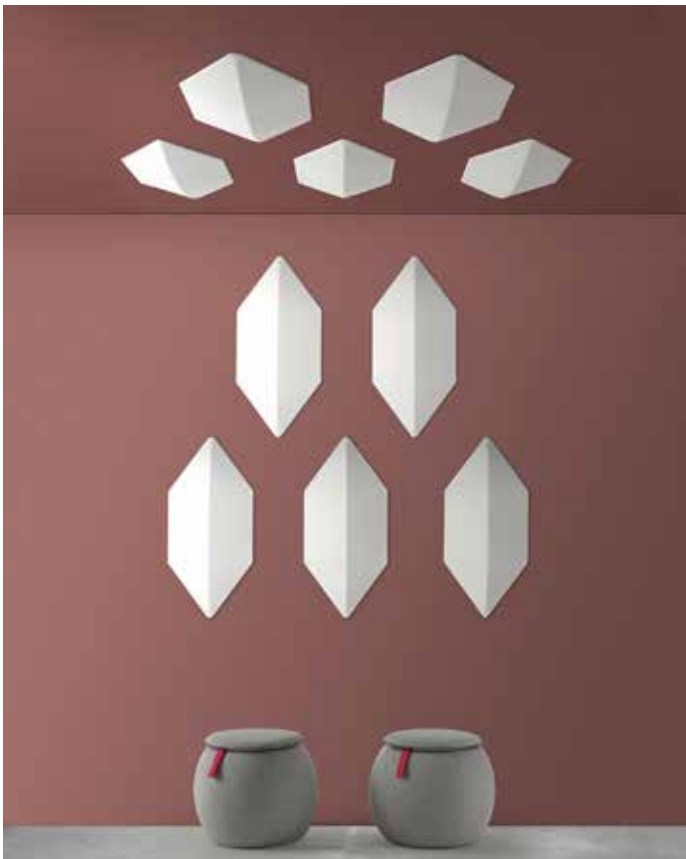


Available colors:

0012



White



Caimi Brevetti S.p.A. reserves, by its unappealable judgment, the right to modify without prior notice the building materials, the technical and aesthetic specifications, as well as the dimensions of the products in this technical sheet, where pictures are purely as an indication.