

## SPECIFICATION

Range: **MITESCO**  
Design: **Michele De Lucchi**

“Snowsound Technology” sound-absorbing element composed of Mitesco panels and a free-standing structure.

Panel description:

Both faces with convex section 36 mm thick, consisting of an internal padding in variable density polyester fiber. The density decreases moving towards the heart of the panel, which is covered on both sides with Trevira CS® polyester fabric, solidly applied to the padding. The panel is double sided, with same characteristics on both sides. It is characterized by the rigid edge obtained by the manufacturing process itself, without any supporting and/or stiffening frame. The panel is equipped with two series of punched holes for anchoring to the appropriate supports.

The panel has an **Italian Class1** fire reaction and **Euroclass B-s2, d0**.

The panel is **Greenguard Gold** certified, which validates its low VOC emission and its contribution to the quality of the indoor environment.

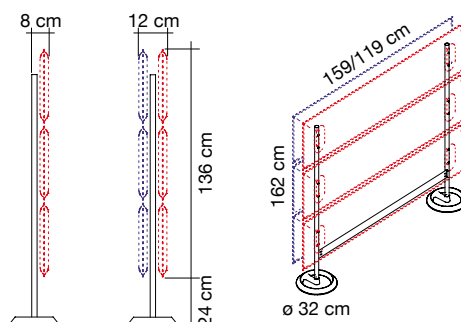
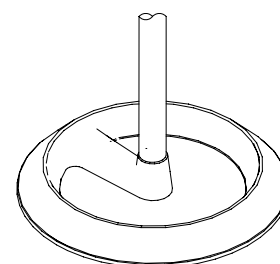
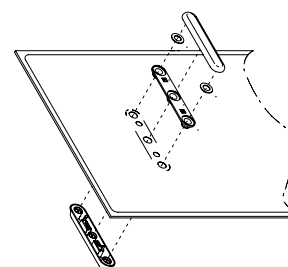
The panel is **100% recyclable** and has no detectable formaldehyde content according to UNI EN 717-2. It does not contain felts or other organic materials that are hardly recyclable.

The panel has been tested in reverberation chamber according to UNI EN ISO 354 and obtained “**Acoustic Absorption Class A**”, in accordance with UNI EN ISO 11654.

Panel dimensions:      119x44 cm  
                                  159x44 cm

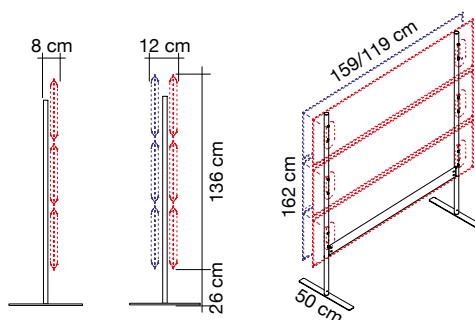
Description of the structure with “Battista” bases (3-6 panels):

Epoxy powder coated steel structure consisting of two  $\varnothing$  32 mm tubes, connected to each other by a crosspiece fixed with screws. The tubes are each equipped with 3 pairs of holes (for single-sided partitions) or 6 pairs of holes (for double-sided partitions). Threaded metal bushings allow the fixing of the panels through a system of techno polymer spacers and screws, passing through the holes of the panels. The holes are equipped with supports in techno polymer, visible on both sides, covered on the front by a casing in techno polymer. The bases are made of epoxy powder coated cast iron  $\varnothing$  32 cm and are fixed to the structure thanks to M8x40 screws.



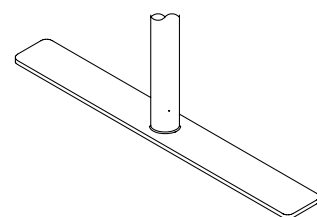
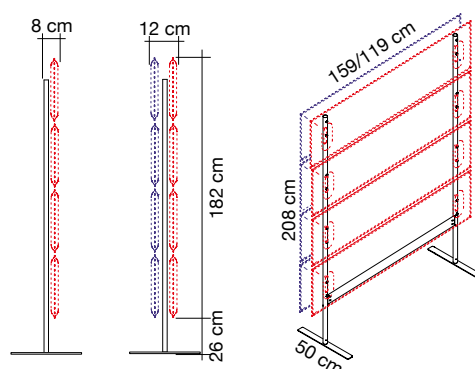
### Description of structure with flat bases (3-6 panels):

Epoxy powder coated steel structure consisting of two  $\varnothing$  32 mm tubes, connected to each other by a crosspiece fixed with screws. The tubes are each equipped with 3 pairs of holes (for single-sided partitions) or 6 pairs of holes (for double-sided partitions). Threaded metal bushings allow the fixing of the panels through a system of techno polymer spacers and screws, passing through the holes of the panels. The holes are equipped with supports in techno polymer, visible on both sides, covered on the front by a casing in techno polymer. The bases are made of epoxy powder coated steel sheet (8mm thick) and are fixed to the structure thanks to M10x25 screws.



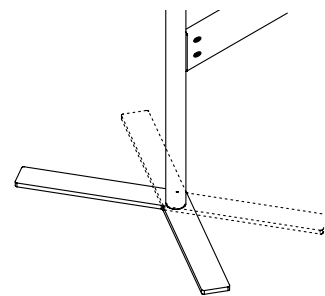
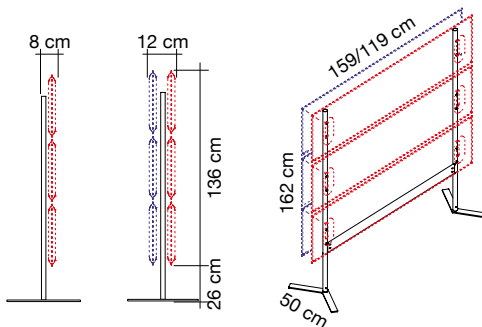
### Description of structure with flat bases (4-8 panels):

Epoxy powder coated steel structure consisting of two  $\varnothing$  32 mm tubes, connected to each other by a crosspiece fixed with screws. The tubes are each equipped with 4 pairs of holes (for single-sided partitions) or 8 pairs of holes (for double-sided partitions). Threaded metal bushings allow the fixing of the panels through a system of techno polymer spacers and screws, passing through the holes of the panels. The holes are equipped with supports in techno polymer, visible on both sides, covered on the front by a casing in techno polymer. The bases are made of epoxy powder coated steel sheet (8mm thick) and are fixed to the structure thanks to M10x25 screws.



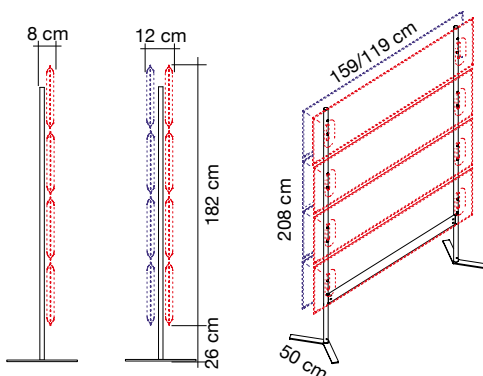
**Description of structure with corner bases (3-6 panels):**

Epoxy powder coated steel structure consisting of two  $\varnothing$  32 mm tubes, connected to each other by a crosspiece fixed with screws. The tubes are each equipped with 3 pairs of holes (for single-sided partitions) or 6 pairs of holes (for double-sided partitions). Threaded metal bushings allow the fixing of the panels through a system of techno polymer spacers and screws, passing through the holes of the panels. The holes are equipped with supports in techno polymer, visible on both sides, covered on the front by a casing in techno polymer. The bases are made of epoxy powder coated steel sheet (8mm thick) and are fixed to the structure thanks to M10x25 screws.



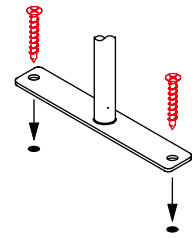
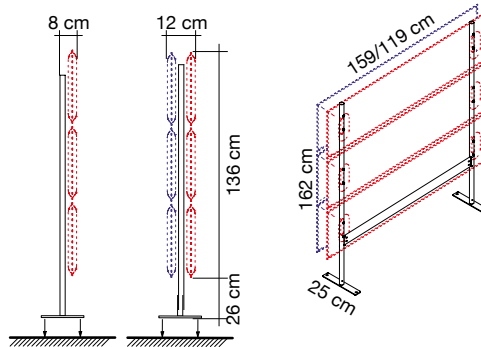
**Description of structure with corner bases (4-8 panels):**

Epoxy powder coated steel structure consisting of two  $\varnothing$  32 mm tubes, connected to each other by a crosspiece fixed with screws. The tubes are each equipped with 4 pairs of holes (for single-sided partitions) or 8 pairs of holes (for double-sided partitions). Threaded metal bushings allow the fixing of the panels through a system of techno polymer spacers and screws, passing through the holes of the panels. The holes are equipped with supports in techno polymer, visible on both sides, covered on the front by a casing in techno polymer. The bases are made of epoxy powder coated steel sheet (8mm thick) and are fixed to the structure thanks to M10x25 screws.



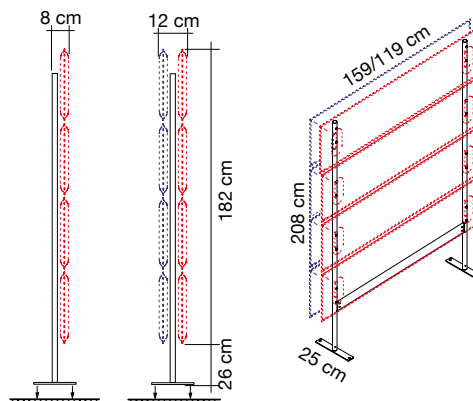
**Description of structure with ground fixing bases (3-6 panels):**

Epoxy powder coated steel structure consisting of two  $\varnothing$  32 mm tubes, connected to each other by a crosspiece fixed with screws. The tubes are each equipped with 3 pairs of holes (for single-sided partitions) or 6 pairs of holes (for double-sided partitions). Threaded metal bushings allow the fixing of the panels through a system of techno polymer spacers and screws, passing through the holes of the panels. The holes are equipped with supports in techno polymer, visible on both sides, covered on the front by a casing in techno polymer. The bases are made of epoxy powder coated steel sheet (8mm thick) and are fixed to the structure thanks to M10x25 screws. Each base is equipped with two holes ( $\varnothing$  10 mm) for ground fixing.



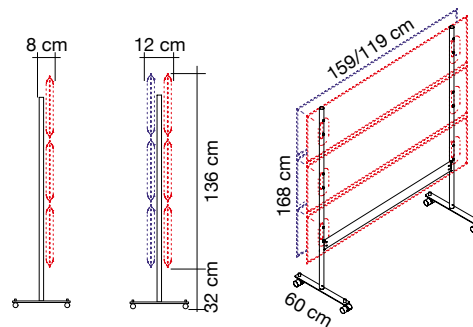
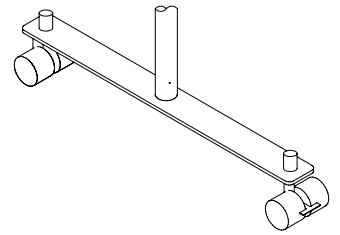
**Description of structure with ground fixing bases (4-8 panels):**

Epoxy powder coated steel structure consisting of two  $\varnothing$  32 mm tubes, connected to each other by a crosspiece fixed with screws. The tubes are each equipped with 4 pairs of holes (for single-sided partitions) or 8 pairs of holes (for double-sided partitions). Threaded metal bushings allow the fixing of the panels through a system of techno polymer spacers and screws, passing through the holes of the panels. The holes are equipped with supports in techno polymer, visible on both sides, covered on the front by a casing in techno polymer. The bases are made of epoxy powder coated steel sheet (8mm thick) and are fixed to the structure thanks to M10x25 screws. Each base is equipped with two holes ( $\varnothing$  10 mm) for ground fixing.



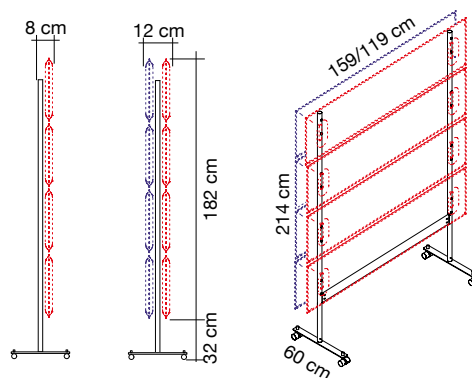
### Description of structure with bases on castors (3-6 panels):

Epoxy powder coated steel structure consisting of two  $\varnothing$  32 mm tubes, connected to each other by a crosspiece fixed with screws. The tubes are each equipped with 3 pairs of holes (for single-sided partitions) or 6 pairs of holes (for double-sided partitions). Threaded metal bushings allow the fixing of the panels through a system of techno polymer spacers and screws, passing through the holes of the panels. The holes are equipped with supports in techno polymer, visible on both sides, covered on the front by a casing in techno polymer. The bases are made of epoxy powder coated steel sheet (8mm thick) and are fixed to the structure thanks to M10x25 screws. Each base is equipped with techno polymer castors, two with breaks and two without.



### Description of structure with bases on castors (4-8 panels):

Epoxy powder coated steel structure consisting of two  $\varnothing$  32 mm tubes, connected to each other by a crosspiece fixed with screws. The tubes are each equipped with 4 pairs of holes (for single-sided partitions) or 8 pairs of holes (for double-sided partitions). Threaded metal bushings allow the fixing of the panels through a system of techno polymer spacers and screws, passing through the holes of the panels. The holes are equipped with supports in techno polymer, visible on both sides, covered on the front by a casing in techno polymer. The bases are made of epoxy powder coated steel sheet (8mm thick) and are fixed to the structure thanks to M10x25 screws. Each base is equipped with techno polymer castors, two with breaks and two without.





Available colors:



Caimi Brevetti S.p.A. reserves, by its unappealable judgment, the right to modify without prior notice the building materials, the technical and aesthetic specifications, as well as the dimensions of the products in this technical sheet, where pictures are purely as an indication.